

SPECIFICATIONS

GENERAL:

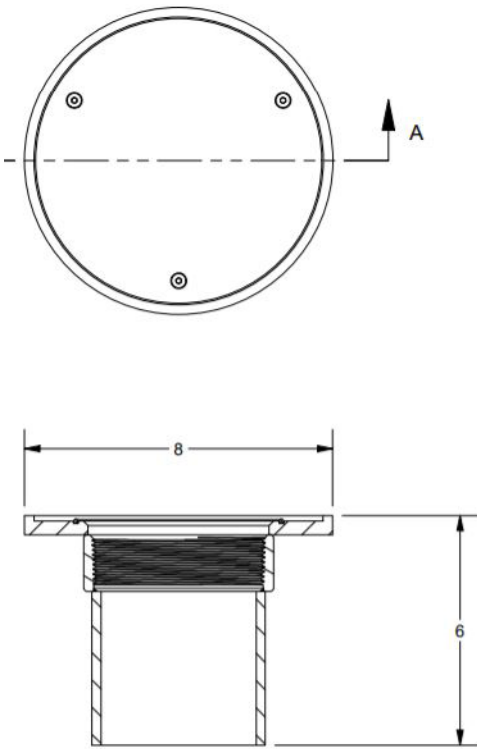
The FoodSafe Floor Clean Out is a stainless steel system that allows easy access to clear clogs and debris in underground drain lines. When not in use, it keeps your system secure - air & water tight.

MATERIALS:

- T304 or T316 Stainless Steel
- EPDM

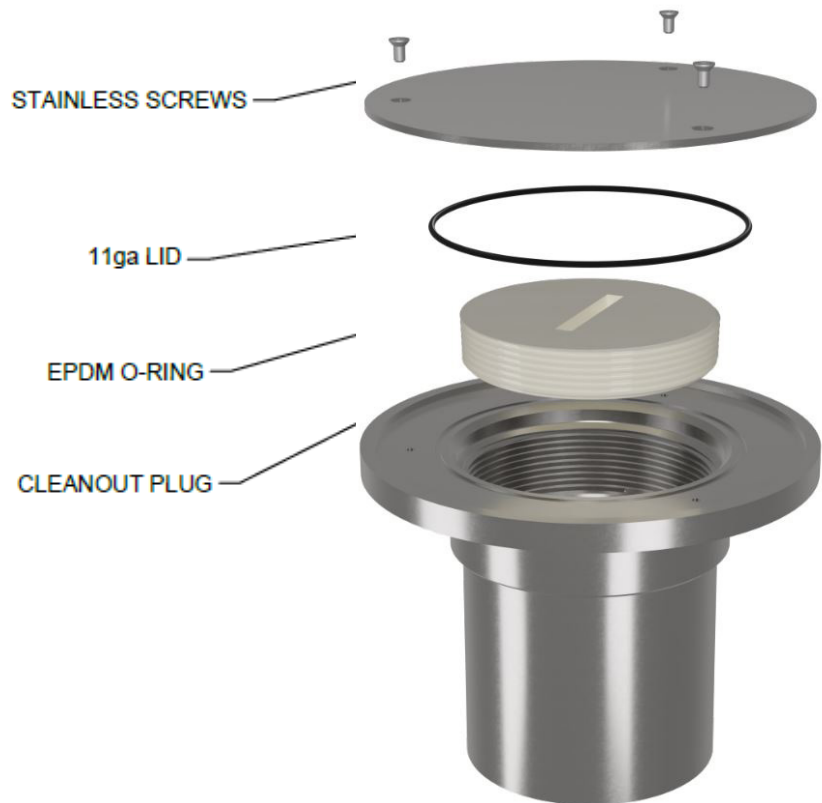
INSTALLATION:

The FoodSafe Floor Clean Out shall be installed in accordance with the manufacturers installation instructions and recommendations.



SECTION A-A

TYPICAL PROFILE OF A FOODSAFE FLOOR CLEAN OUT



MEASUREMENTS

DESCRIPTION	PART NO.	PIPE SCHEDULE	A [IN]	B [IN]	C [NOMINAL SIZE]	D [IN]
FLOOR CLEAN OUT 8" TOP, 4" PIPE OUTLET	FSFCO-84A	10	8	0.5	4	6.125
FLOOR CLEAN OUT 8" TOP, 4" PIPE OUTLET	FSFCO-84	40	8	0.5	4	6.125

SPECIFYING ENGINEER IS RESPONSIBLE FOR CONCRETE ENCASEMENT AND REINFORCING BASED UPON APPLICATION AND LOCAL CODES.
FOODSAFE DRAINS RESERVES THE RIGHT TO CHANGE THE PRODUCT AND SPECIFICATIONS WITHOUT NOTICE